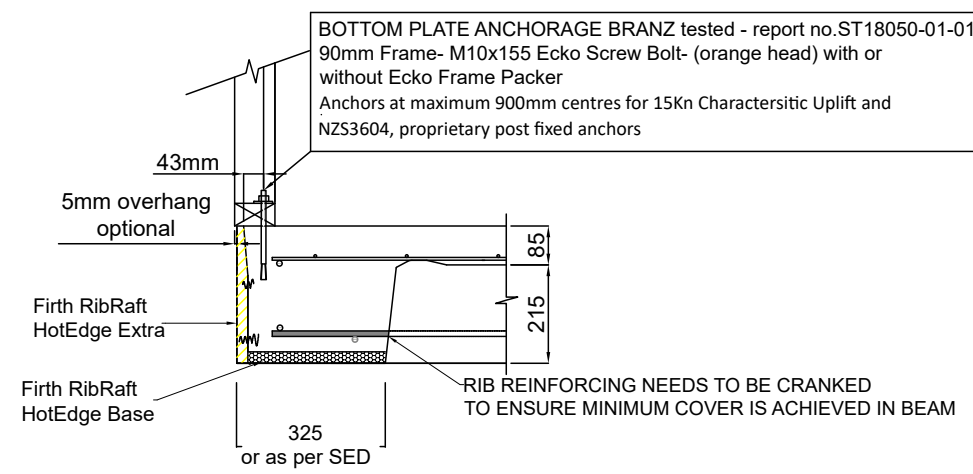
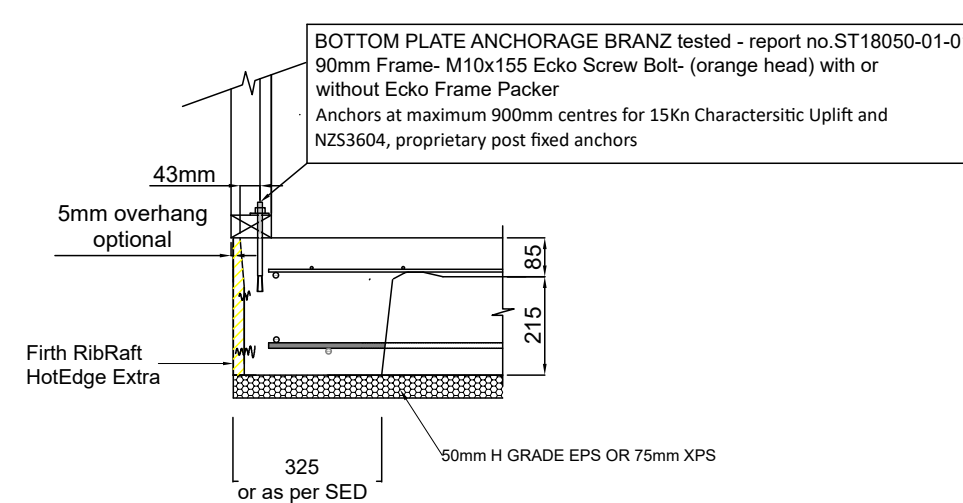


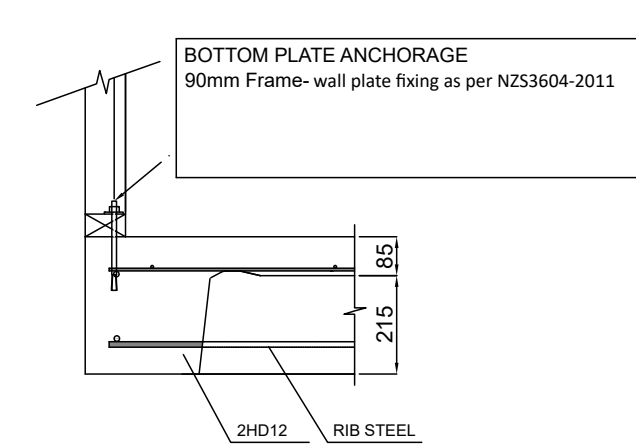
① FIRTH RIBRAFT XPOD
90mm WALL FRAME HOTEDGE EXTRA
FIRTH CONCRETE (MIX CODE IP2019X OR IP2519X)



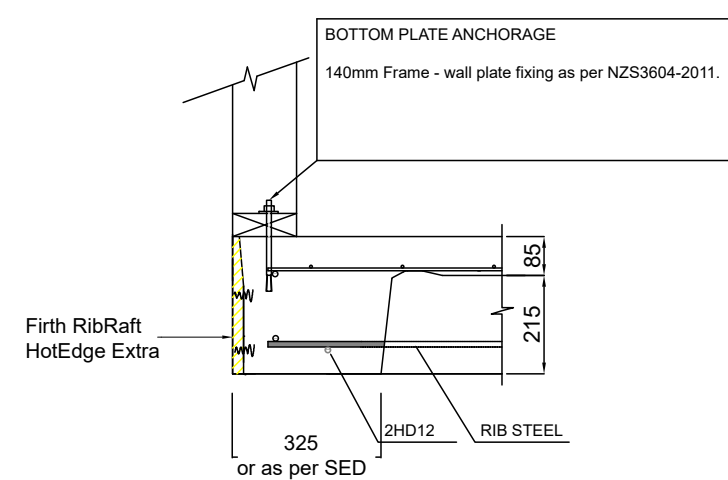
② FIRTH RIBRAFT XPOD
90mm WALL FRAME HOTEDGE EXTRA & HOTEDGE BASE
FIRTH CONCRETE (MIX CODE IP2019X OR IP2519X)



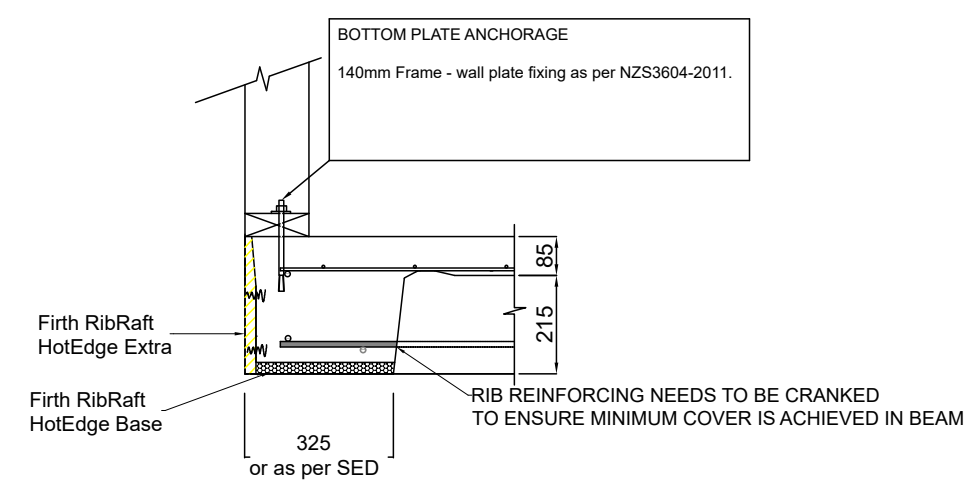
③ FIRTH RIBRAFT XPOD
90mm WALL FRAME HOTEDGE EXTRA & UNDERSLAB INSULATION
FIRTH CONCRETE (MIX CODE IP2019X OR IP2519X)



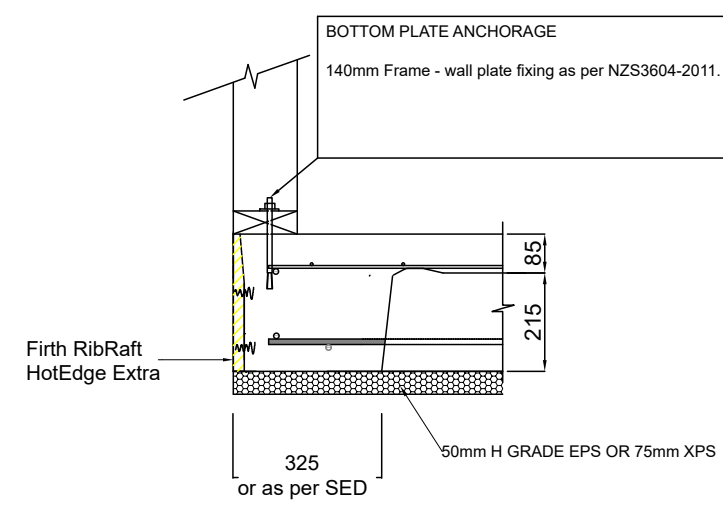
④ FIRTH RIBRAFT XPOD
90mm WALL FRAME
FIRTH CONCRETE (MIX CODE IP2019X OR IP2519X)



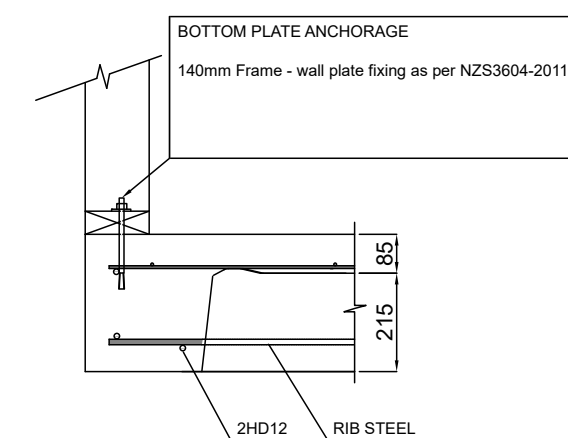
⑤ FIRTH RIBRAFT XPOD
140mm WALL FRAME HOTEDGE EXTRA
FIRTH CONCRETE (MIX CODE IP2019X OR IP2519X)



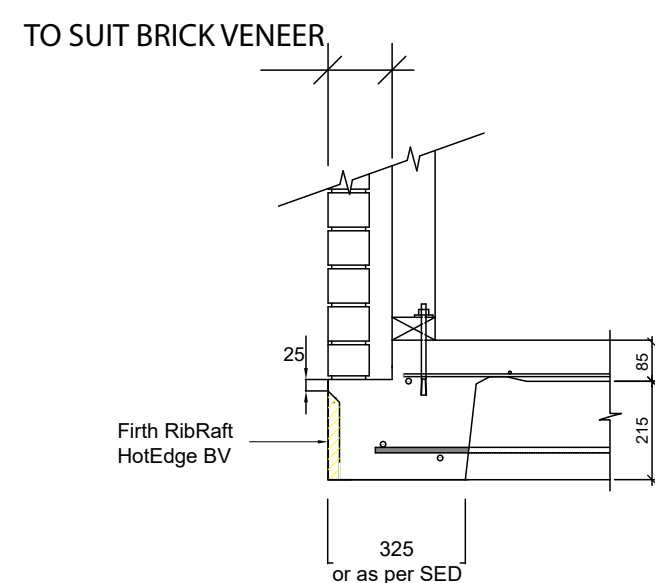
⑥ FIRTH RIBRAFT XPOD
140mm WALL FRAME HOTEDGE EXTRA & HOTEDGE BASE
FIRTH CONCRETE (MIX CODE IP2019X OR IP2519X)



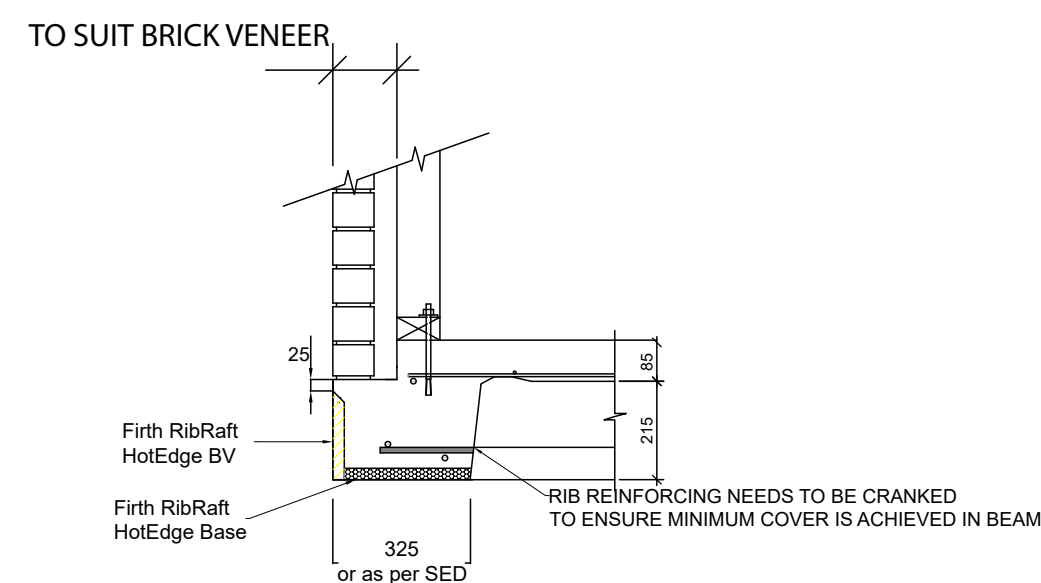
⑦ FIRTH RIBRAFT XPOD
140mm WALL FRAME HOTEDGE EXTRA & UNDERSLAB INSULATION
FIRTH CONCRETE (MIX CODE IP2019X OR IP2519X)



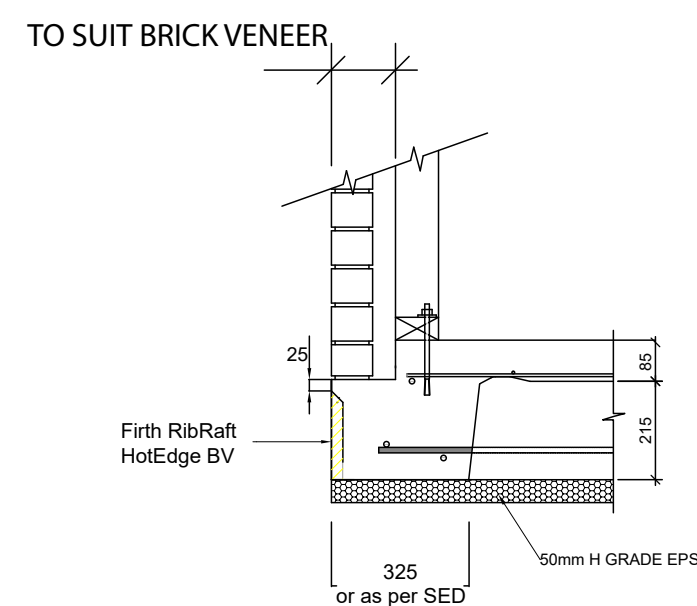
⑧ FIRTH RIBRAFT XPOD
140mm WALL FRAME
FIRTH CONCRETE (MIX CODE IP2019X OR IP2519X)



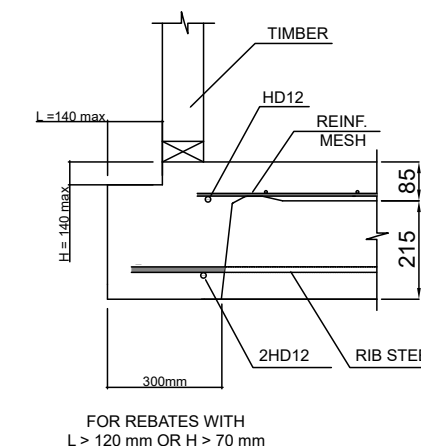
⑨ FIRTH RIBRAFT XPOD
BRICK VENEER HOTEDGE
FIRTH CONCRETE (MIX CODE IP2019X OR IP2519X)



⑩ FIRTH RIBRAFT XPOD
BRICK VENEER HOTEDGE & HOTEDGE BASE
FIRTH CONCRETE (MIX CODE IP2019X OR IP2519X)



⑪ FIRTH RIBRAFT XPOD
BRICK VENEER HOTEDGE & UNDERSLAB INSULATION
FIRTH CONCRETE (MIX CODE IP2019X OR IP2519X)



⑫ FIRTH RIBRAFT XPOD
BRICK VENEER
FIRTH CONCRETE (MIX CODE IP2019X OR IP2519X)

SHEET TITLE: RIBRAFT XPOD
HOTEDGE DETAILS
TIMBER FRAME
CONSTRUCTION

DESIGNED: DRAWN:
CHECKED: CAD DWG.:
SCALES: DATE July 2024
DWG NO.