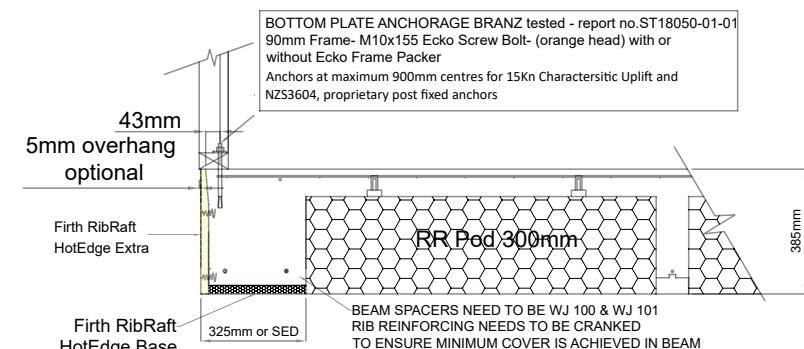
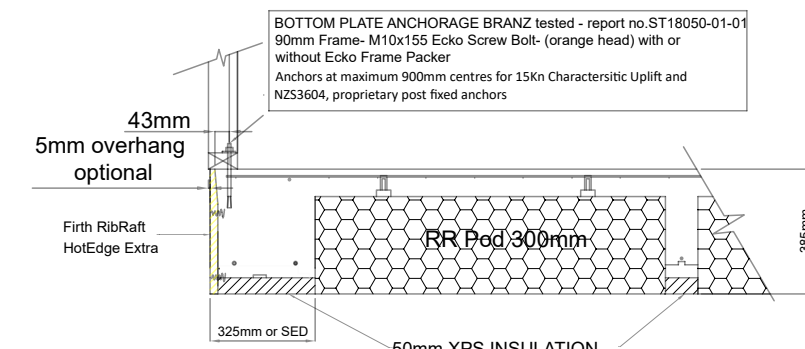


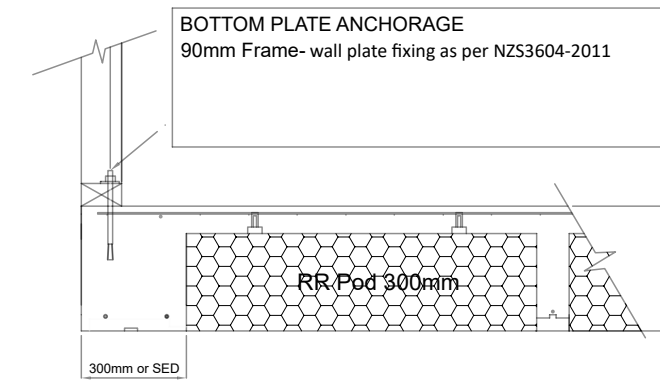
① 300mm FIRTH RIBRAFT POLYPOD
90mm WALL FRAME HOTEDGE EXTRA
FIRTH RAFTMIX 20 OR 25MPa



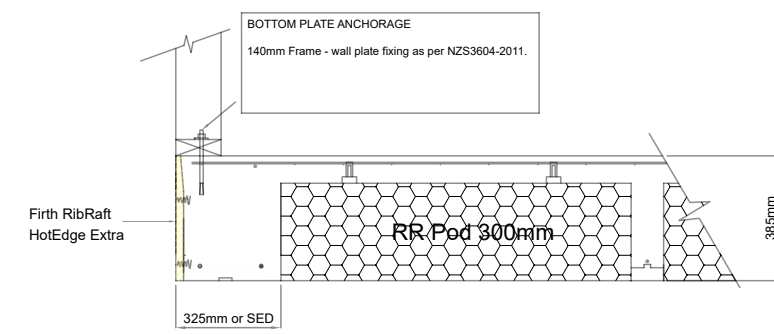
② 300mm FIRTH RIBRAFT POLYPOD
90mm WALL FRAME HOTEDGE EXTRA & HOTEDGE BASE
FIRTH RAFTMIX 20 OR 25MPa



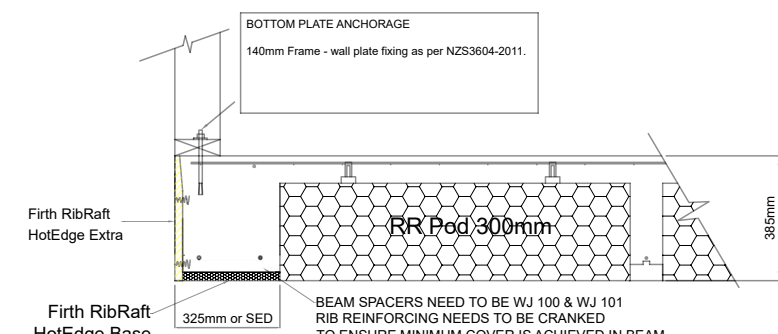
③ 300mm FIRTH RIBRAFT POLYPOD
90mm WALL FRAME HOTEDGE EXTRA WITH XPS INSULATION IN RIBS & BEAMS
FIRTH RAFTMIX 20 OR 25MPa



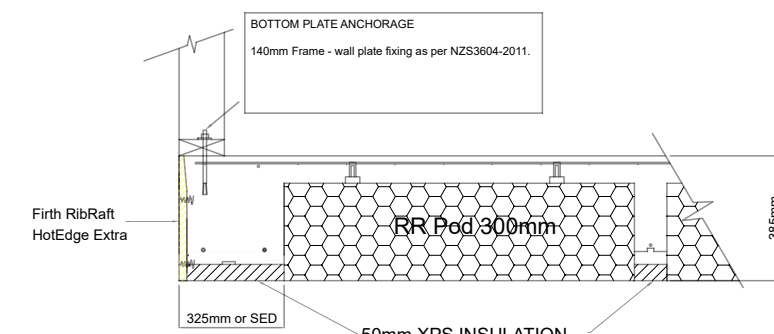
④ 300mm FIRTH RIBRAFT POLYPOD
90mm WALL FRAME
FIRTH RAFTMIX 20 OR 25MPa



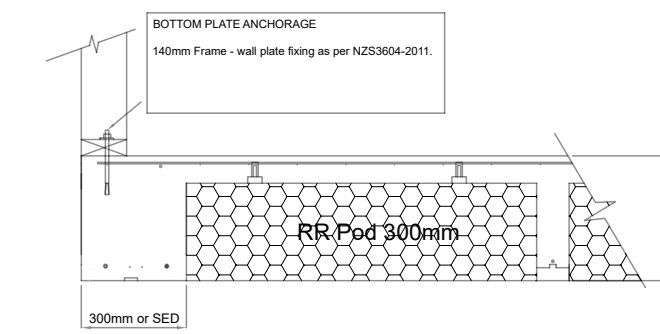
⑤ 300mm FIRTH RIBRAFT POLYPOD
140mm WALL FRAME HOTEDGE EXTRA
FIRTH RAFTMIX 20 OR 25MPa



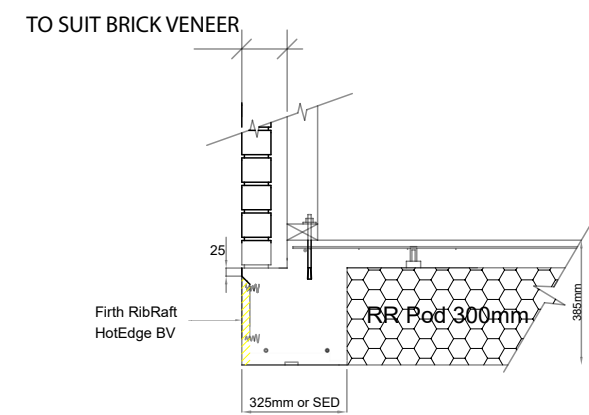
⑥ 300mm FIRTH RIBRAFT POLYPOD
140mm WALL FRAME HOTEDGE EXTRA & HOTEDGE BASE
FIRTH RAFTMIX 20 OR 25MPa



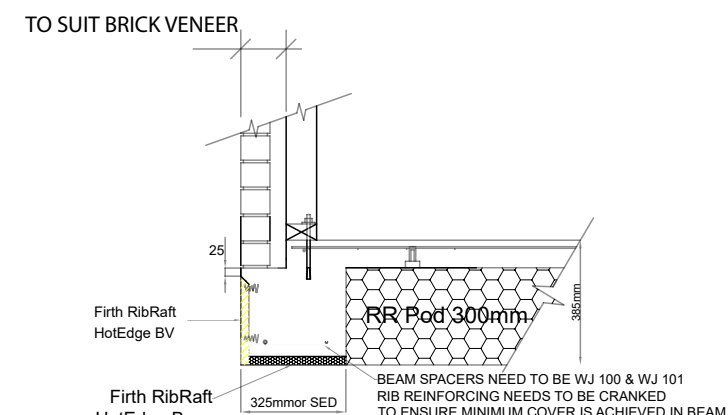
⑦ 300mm FIRTH RIBRAFT POLYPOD
140mm WALL FRAME HOTEDGE EXTRA WITH XPS INSULATION IN RIBS & BEAMS
FIRTH RAFTMIX 20 OR 25MPa



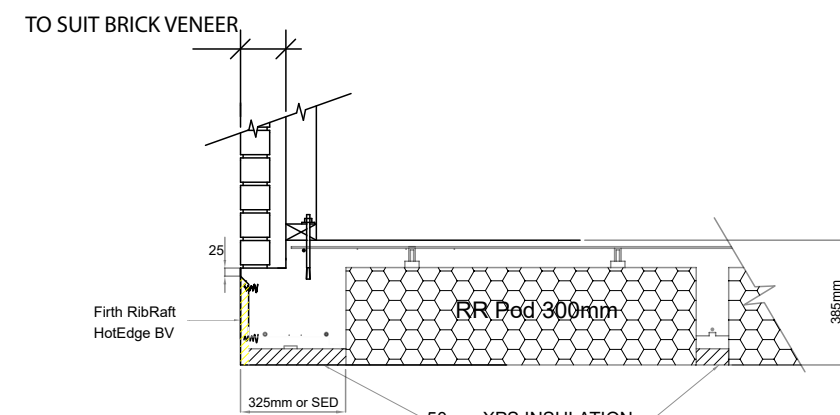
⑧ 300mm FIRTH RIBRAFT POLYPOD
140mm WALL FRAME
FIRTH RAFTMIX 20 OR 25MPa



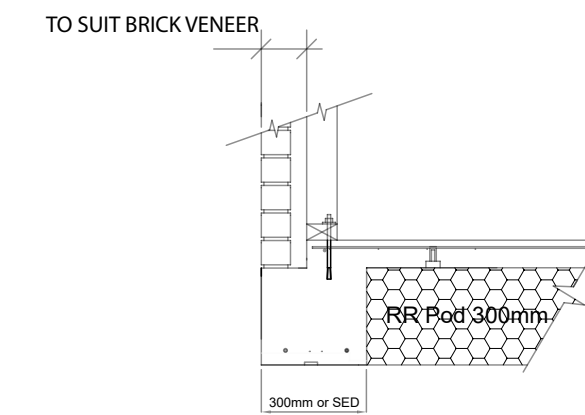
⑨ 300mm FIRTH RIBRAFT POLYPOD
BRICK VENEER HOTEDGE
FIRTH RAFTMIX 20 OR 25MPa



⑩ 300mm FIRTH RIBRAFT POLYPOD
BRICK VENEER HOTEDGE & HOTEDGE BASE
FIRTH RAFTMIX 20 OR 25MPa



⑪ 300mm FIRTH RIBRAFT POLYPOD
BRICK VENEER HOTEDGE WITH XPS INSULATION IN RIBS & BEAMS
FIRTH RAFTMIX 20 OR 25MPa



⑫ 300mm FIRTH RIBRAFT POLYPOD
BRICK VENEER
FIRTH RAFTMIX 20 OR 25MPa

SHEET TITLE: RIBRAFT 300mm Pod
HOTEDGE DETAILS
TIMBER FRAME
CONSTRUCTION

DESIGNED: DRAWN:
CHECKED: CAD DWG.:
SCALES: DATE July 2024
DWG NO.